



# QuickStartGuide

Acoustic Research UA1  
www.acoustic-research.com

**Congratulations on purchasing your new Acoustic Research HD USB DAC with headphone amplifier.**  
Please read these instructions for quick tips on using the USB HD sound module.

## 1. Content of the box

- UA1 High Fidelity HD USB DAC with headphone amplifier
- USB cable
- Software CD (Acoustic Research UA1 Installation CD)
- Quick Start Guide

## 2. System requirements

### Windows Operating Requirements

- Intel Core i3 or better
- Windows 7 or Windows 8 (32-bit or 64-bit)
- An available USB 2.0 port
- Internet Connection

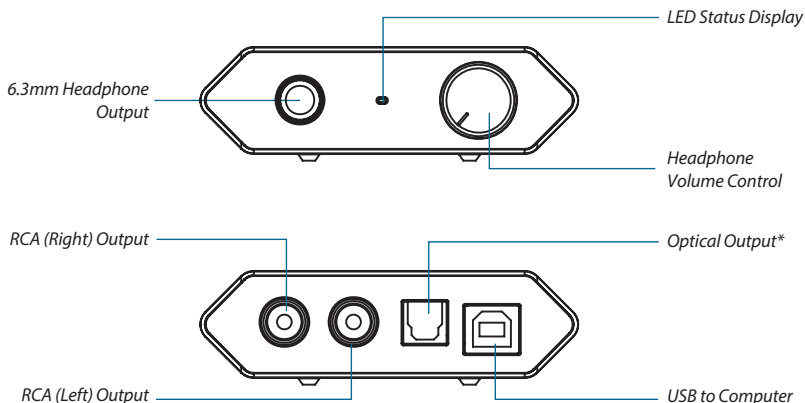
### Mac Operating Requirements

- Mac with Intel processor
- Mac OS X 10.6.8 (Snow Leopard) or above (10.9 or above required for integer mode playback)
- An available USB 2.0 port
- Internet Connection

\* The latest software can be downloaded from [www.acoustic-research.com](http://www.acoustic-research.com).

v1.1 (1.0.1.0) (EN)

## 3. General controls



\* Optical output supports up to 96 kHz

### LED Status Display

White	44.1kHz	Blue	88.2 kHz	Red	176.4 kHz
Cyan	48 kHz	Purple	96 kHz	Yellow	192 kHz

## 4. Driver installation

### Windows 7 or Windows 8 (32-bit or 64-bit)

- Installation through CD (CD/BD/DVD drive required)
  1. Connect the HD USB DAC to an available USB 2.0/3.0 port with supplied USB cable
  2. Insert Acoustic Research UA1 Installation CD into CD/DVD/BD Drive
  3. Browse CD content with Windows Explorer
  4. Double-click the folder **Windows** to browse the content
  5. Run **XMOS-Stereo-USB-Audio-Class2-Driver-300C(v2.19.0).exe**
  6. Follow instructions on screen to complete the installation

- Installation through internet download (Internet connection required)
  1. Connect the HD USB DAC to an available USB 2.0/3.0 port with supplied USB cable
  2. Visit Acoustic Research web site <http://www.acoustic-research.com>
  3. Enter **UA1** in the search bar to find the UA1 product information
  4. Under the product information, click **Downloads**
  5. Click **Driver for Windows 7/Windows 8 (32-bit or 64-bit)** to download the driver
  6. Run the downloaded driver
  7. Follow instructions on screen to complete the installation

### Mac OS X 10.6.8 or above

- Connect the HD USB DAC to an available USB 2.0/3.0 port with supplied USB cable
- The HD USB DAC is natively supported by Mac OS X 10.6.8 or above. No installation is required.

### ! Default Audio Device in Windows and Mac OS X

By default, UA1 is an auxiliary audio device in Windows. To enable music playback through UA1, please select UA1 as the output device in the music playback application. We recommend setting UA1 as the auxiliary device for best music playback fidelity.

## 5. Software installation and configuration (Windows)

### • Installation through CD (CD/BD/DVD drive required)

1. Insert Acoustic Research UA1 Installation CD into CD/DVD/BD Drive
2. Browse CD content with Windows Explorer
3. Double-click the folder **Windows** to browse the content
4. Run **MediaCenter190117.exe**
5. Follow instructions on screen to complete the installation

### • Installation through internet download (Internet connection required)

1. Visit JRiver web site <http://www.jriver.com/download.html>
2. Download the latest Windows version of JRiver Media Center
3. Run the downloaded file
4. Follow instructions on screen to complete the installation

### • Activating the software (Internet connection required)

The required license key can be found on the envelope of the CD

### ! Configuring JRiver Media Center to utilize the HD USB DAC in Windows

1. Make sure UA1 HD USB DAC is connected and driver has been installed. Run **JRiver Media Center**
2. Click **Tools** and select **Options...**
3. Under **Audio Device**, select **XMOS USB Audio [WASAPI]** or **XMOS USB Audio ST 300C [ASIO]**
4. Under **Settings...**, click **DSP & output format...**
5. In **Output Format**, select **192,000 Hz** Output for Input **Greater than 192,000 Hz**
6. Close the DSP Studio window and click **OK** to save the configurations

For customer service, please contact the local distributors or visit our website at [www.acoustic-research.com](http://www.acoustic-research.com)

## 6. Software installation and configuration (Mac OS X)

### • Installation through CD (CD/BD/DVD drive required)

1. Insert Acoustic Research UA1 Installation CD into CD/DVD/BD Drive
2. Browse CD content with Finder
3. Double-click the folder **Mac** to browse the content
4. Double-click the file **MediaCenter190118.dmg**
5. In Media Center 19 window, drag the **Media Center 19** icon to **Applications** folder to install the software

### • Installation through internet download (Internet connection required)

1. Visit JRiver web site <http://www.jriver.com/download.html>
2. Download the latest Mac version of JRiver Media Center
3. Run the downloaded file
4. In Media Center 19 window, drag the **Media Center 19** icon to **Applications** folder to install the software

### • Activating the software (Internet connection required)

The required license key can be found on the envelope of the CD

### ! Configuring JRiver Media Center to utilize the HD USB DAC in Mac OS X

1. Make sure UA1 HD USB DAC is connected and run **JRiver Media Center**
2. Click **Tools** and select **Options...**
3. Under **Audio Device**, select **Acoustic Research AR-UA1 [Core Audio]**
4. Under **Settings...**, click **DSP & output format...**
5. In **Output Format**, select **192,000 Hz** Output for Input **Greater than 192,000 Hz**
6. Close the DSP Studio window and click **OK** to save the configurations

©2014 VOXX Accessories Corporation, Indianapolis, IN  
A wholly-owned subsidiary of VOXX International Corporation

Printed in China