

QuickStartGuide

ARS35i

www.acoustic-research.com



Congratulations on purchasing your new docking station.

Please follow these instructions to set up and start using the unit.

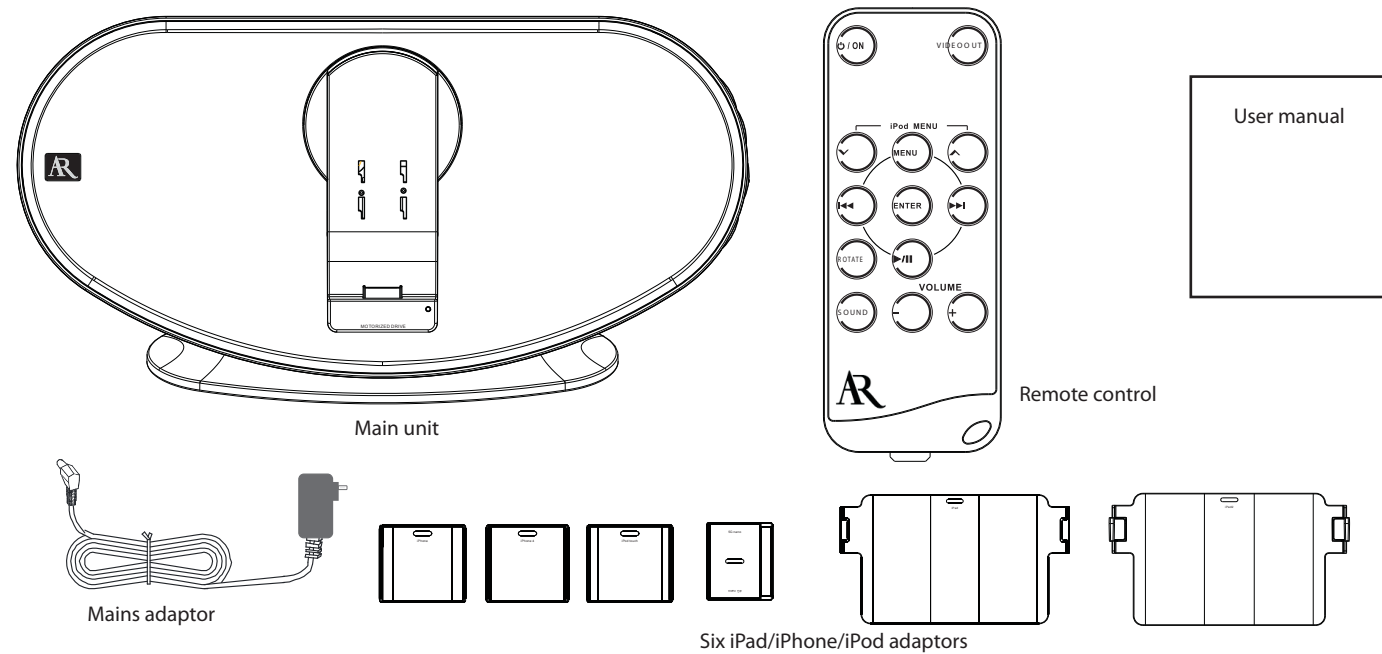
The first time you dock your iPad/iPhone/iPod, you'll be prompted to download the Acoustic Research Dock Plus App from the iTunes store. You are encouraged to download and install this app (right on your iPad/iPhone/iPod) in order to enjoy the wide variety of features which are available with the Acoustic Research Dock Plus App.

- App is for iPad/iPhone/iPod touch only (iOS 3.0 or higher).
- Note the Acoustic Research Dock Plus App must be running and visible while your iPad/iPhone/iPod is docked in order for many of the additional features such as alarms and FM radio to properly operate. Launch the app by touching the app icon on your iPad/iPhone/iPod either just before or just after docking.



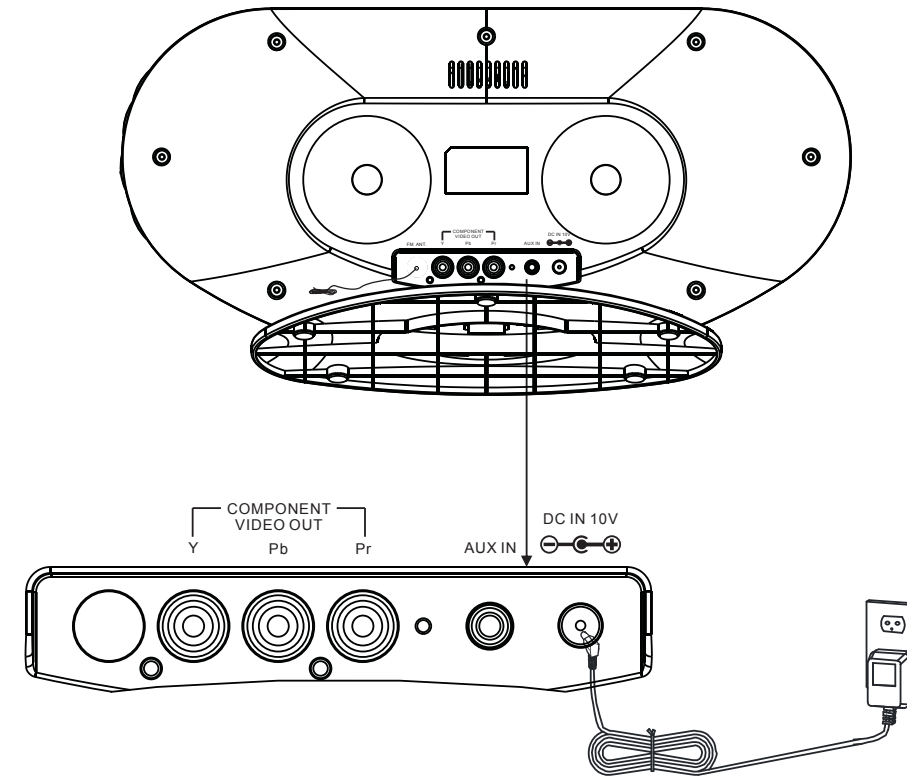
1 Unpack the unit

You should find the following items in the box:



2 Connect the AC adaptor

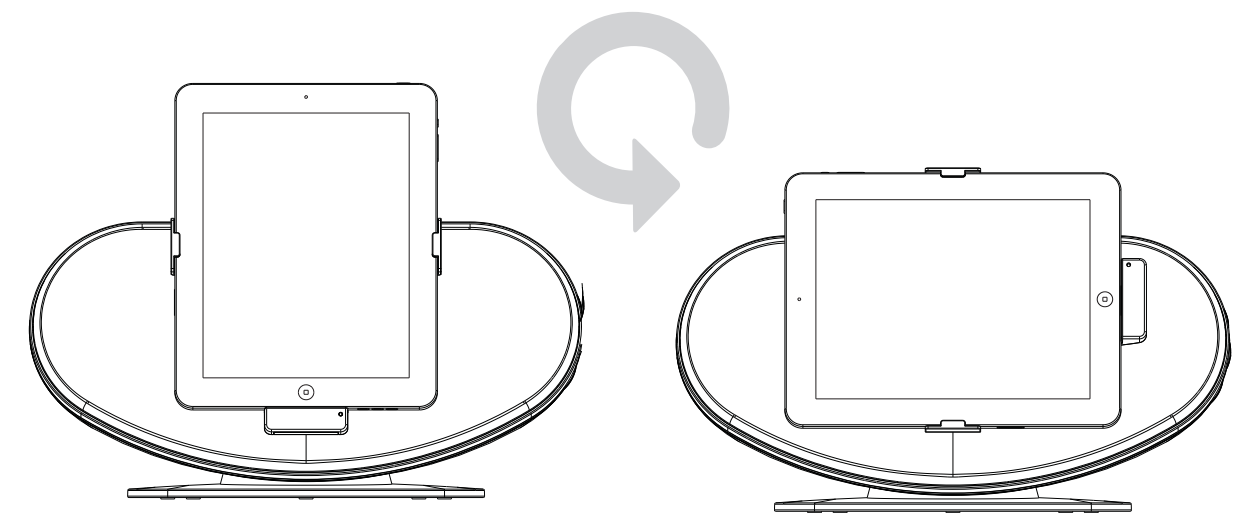
Connect the single plug into the "DC IN" jack on the unit's back panel. Then, connect the AC Adaptor into the 120V AC outlet.



3 Connect iPad/iPhone/iPod

To rotate your iPad/iPhone/iPod, press the ROTATE Button on the main unit or the ROTATE Button on remote control.

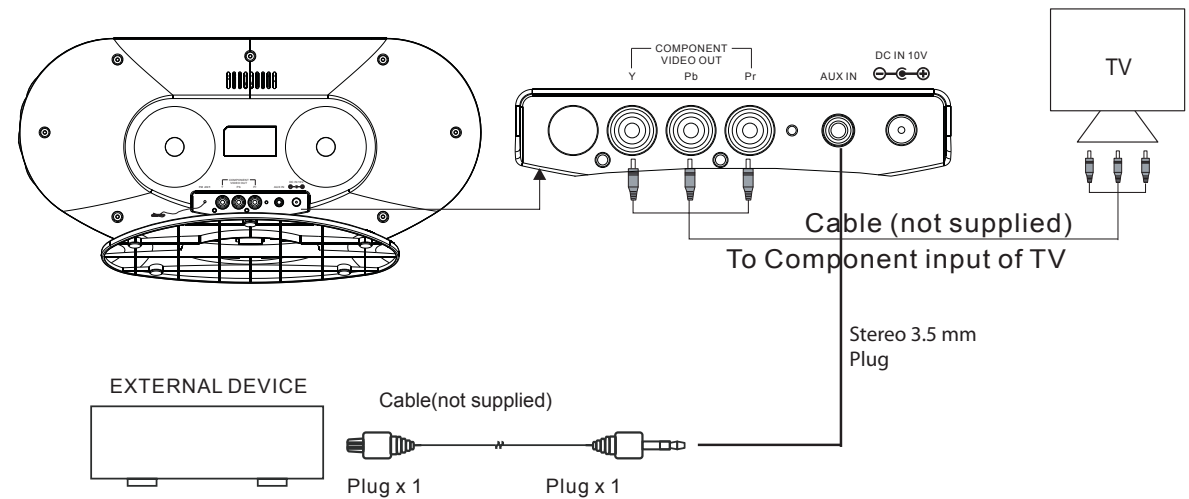
When connecting an iPad/iPhone/iPod to this iPod Dock, please ensure that the correct adaptor plate is used. FAILURE TO DO SO MAY RESULT IN DAMAGE TO THE iPad/iPhone/iPod.



4 Connect external devices

Complete the connections as shown below:

- VIDEO connection requires a VIDEO cable (not supplied). See "Video Operation" for details.
- AUX connection requires a 3.5mm audio cable (not supplied) to connect your external audio source to the AUX input on the back of the main unit.



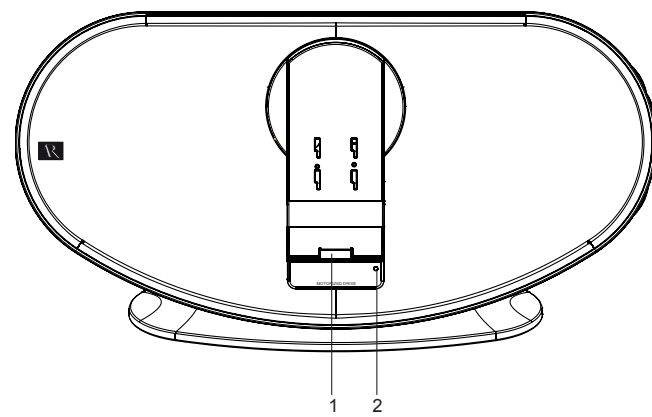
Play videos on TV

1. Click the Videos icon in the iPod menu.
2. Select a video file and start playback.
3. Press VIDEO OUT button on the remote control to switch video output to your TV.

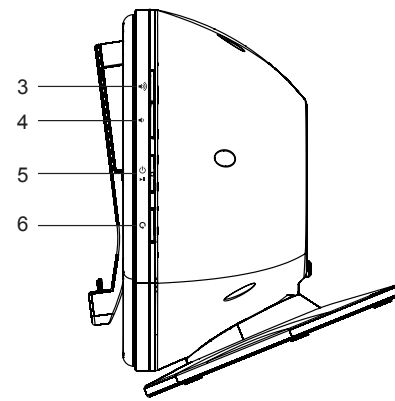
5 Listen to music

1. Turn the unit on by pressing the POWER ON/OFF/PLAY/PAUSE Button on the main unit or the STANDBY / ON Button on the remote control.
2. Press Play on your iPod to start music playback.
3. Use the VOLUME buttons to adjust the volume level.

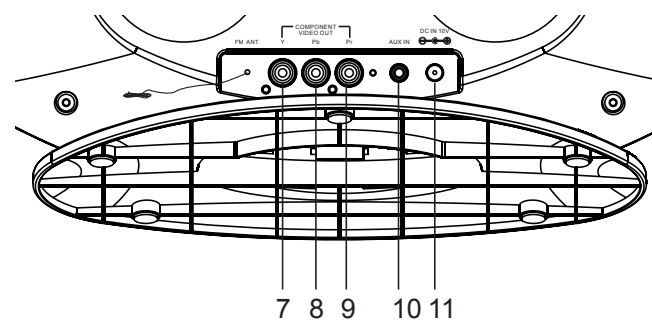
Front view



Side view

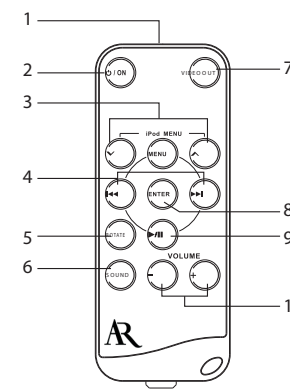


Back view



1. Universal Dock for iPad/iPhone/iPod*
2. Power Indicator
3. VOLUME(+) Button
4. VOLUME(-) Button
5. POWER ON/OFF/PLAY/PAUSE Button
6. ROTATE Button
7. COMPONENT VIDEO OUT Y Jack
8. COMPONENT VIDEO OUT Pb Jack
9. COMPONENT VIDEO OUT Pr Jack
10. AUX IN Jack
11. DC IN Jack (10V DC, 3600 mA)

Remote control



1. Remote Control Transmitter
2. STANDBY / ON Button
3. iPod MENU* and / Buttons
4. / SKIP Buttons
5. ROTATE Button
6. SOUND Button
7. VIDEO OUT Button
8. ENTER Button
9. PLAY/PAUSE Button
10. VOLUME + / - Buttons

***PLEASE NOTE:** The Aux Input is not available when an iPad/iPhone/iPod is docked AND the Dock Plus App is not running. To access Aux In, either remove the iPad/iPhone/iPod or launch the Dock Plus App which will then allow the selection of the desired source such as FM Radio or Aux In.

6 Dock adaptor compatibility

Dock adaptor compatibility chart	
Adaptor A: iPhone 	<ul style="list-style-type: none"> • iPhone • iPhone 3G • iPhone 3GS • iPod classic (1st / 2nd generation)
Adaptor B: iPhone 4 	<ul style="list-style-type: none"> • iPhone 4
Adaptor C: iPod Touch 	<ul style="list-style-type: none"> • iPod Touch (1st / 2nd / 3rd / 4th generation) • iPod nano (1st / 2nd / 3rd / 6th generation)
Adaptor D: 4G nano/ 5G nano 	<ul style="list-style-type: none"> • iPod nano (4th / 5th generation)
iPad 	<ul style="list-style-type: none"> • iPad
iPad 2 	<ul style="list-style-type: none"> • iPad 2



For Customer Service
Visit Our Website At
www.acoustic-research.com
Product Information, Photos,
FAQ's, Owner's Manuals

© 2011 Audiovox Accessories Corporation
111 Congressional Blvd., Suite 350
Carmel, IN 46032
Trademark(s) ® Registered
Printed in China
v3.0 (1.0.3.0)(EN)

*DO NOT manually force the rotating mechanism for the universal dock. Instead, ONLY use the ROTATE button on either the main unit or the remote control.



Acoustic Research is a registered trademark of Audiovox Electronics Corporation.
Visit <http://store.audiovox.com> to find the best accessories for your products.